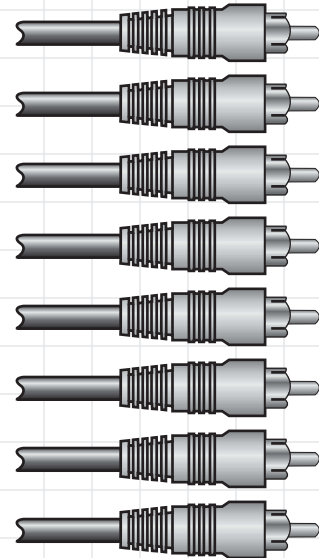
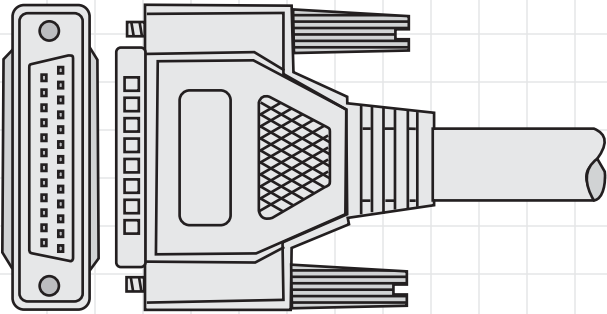


DTR-800 SERIES

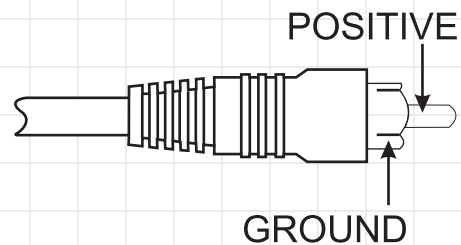
Unbalanced Snake, DB25 to 8 x RCA

Available in the following lengths:
3m(9.9 ft.), 4m(13.2 ft.), 5m(16.5 ft.)



Pinout Diagram

D-SUB PIN #		COLOR	CHANNEL
1	TIP	BLACK	8
2	SLEEVE	BLACK	
3	N/C		
4	TIP	BLUE	6
5	SLEEVE	BLUE	
6	N/C		
7	TIP	GREEN	4
8	SLEEVE	GREEN	
9	N/C		
10	TIP	YELLOW	2
11	SLEEVE	YELLOW	
12	N/C		
13	N/C		
14	N/C		
15	TIP	ORANGE	7
16	SLEEVE	ORANGE	
17	N/C		
18	TIP	WHITE	5
19	SLEEVE	WHITE	
20	N/C		
21	TIP	GREY	3
22	SLEEVE	GREY	
23	N/C		
24	TIP	RED	1
25	SLEEVE	RED	



Note: On the DTR-800 Series, each individual lead consists of a conductor and shield configuration.

DTR-800 SERIES



HOSA TECHNOLOGY, 6650 CABALLERO BLVD., BUENA PARK, CA 90620
PHONE: 714.522.8878 FAX: 714.522.4540